

➤ Right angle valve

RQ22HD

Classical design, durable

Air control design, energy saving and environmental protection

Big flow rate, safety and Precision



Ordering Code



RFS
product



Right angle valve code



Two way two
position



Air control liquid
valve

-



Connection size
15 1/2"
20 3/4"
25 1"
40 1 1/2"
50 2"

-



S single acting type
D double acting type
K normally open

-



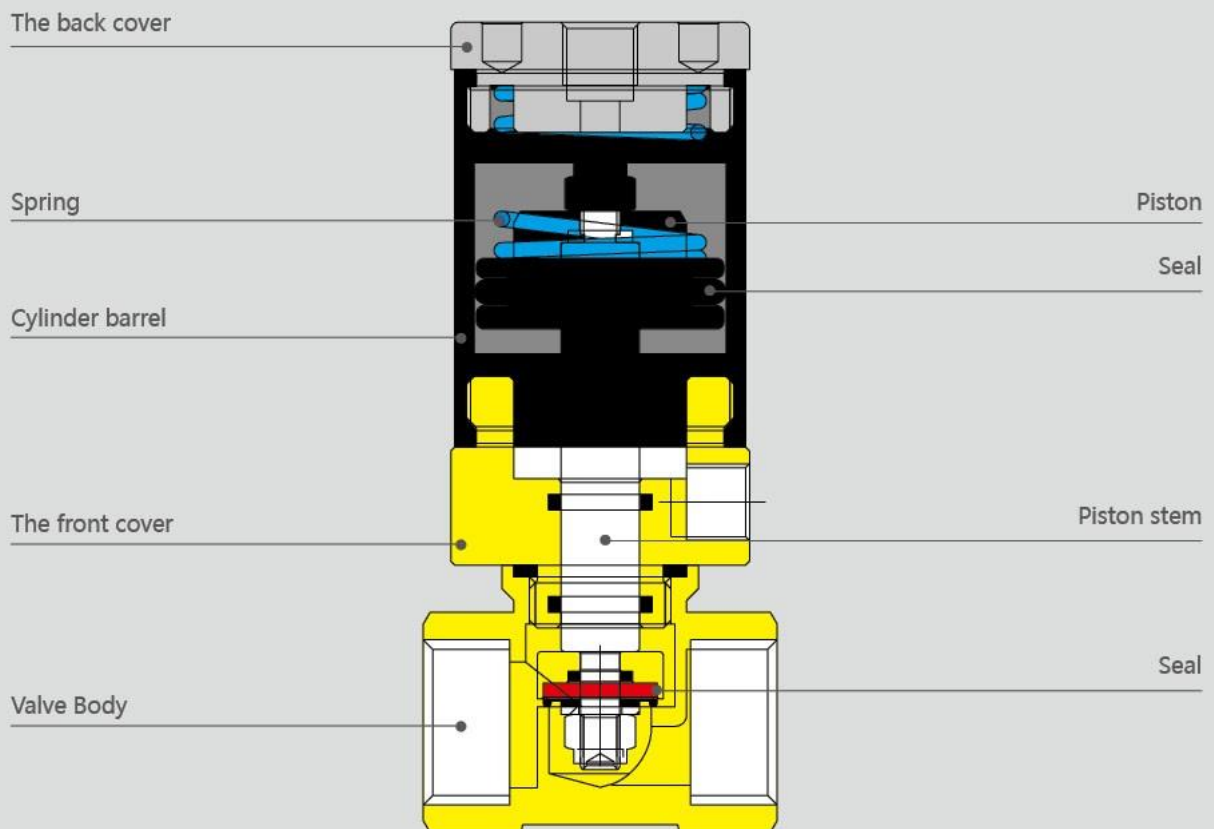
Material
H high temperature type
Blank normal type

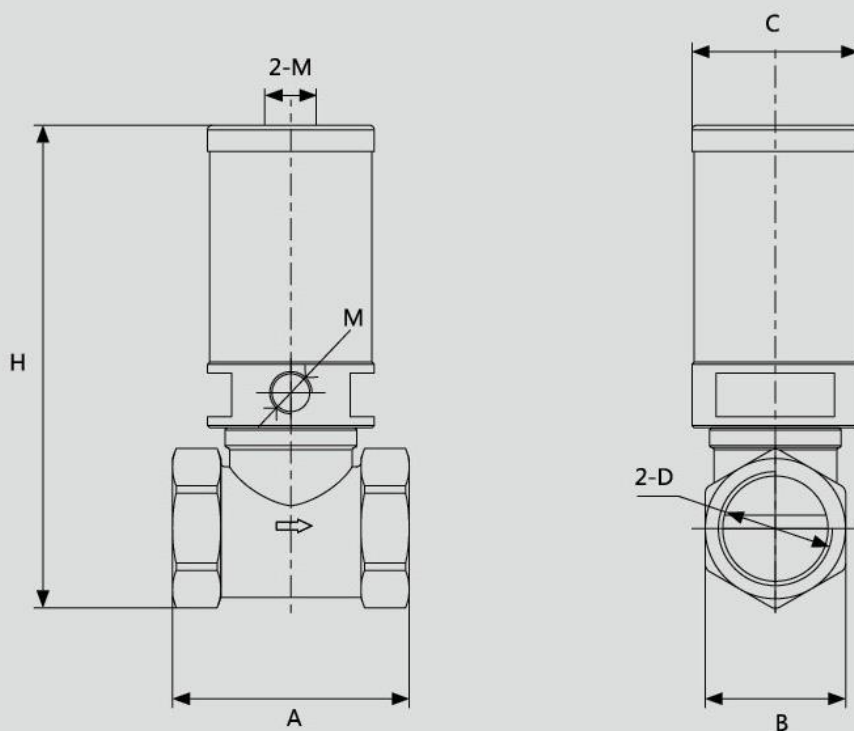
Remark: Normally open: Flow comes under the piston seal, against arrow on body.

Pneumatic control valve

Features

Can work at low pressure, smartness for on and
There are many types of structure single acting and
double acting control,etc structure single acting type
and double acting type. Application: food, medicine,
industry, abstersion, landification, printing, etc.





| Model | A | B | C | 2-D | H | M |
|-----------|------|----|----|---------|------|-------|
| RQ22HD-15 | 45 | 25 | 37 | G1/2" | 89.5 | G1/8" |
| RQ22HD-20 | 50 | 31 | 37 | G3/4" | 109 | G1/8" |
| RQ22HD-25 | 64.5 | 38 | 37 | G1" | 118 | G1/8" |
| RQ22HD-40 | 80 | 53 | 55 | G1-1/2" | 162 | G1/8" |
| RQ22HD-50 | 99.5 | 65 | 78 | G1/8" | 179 | G1/4" |

| Model | Orifice | Media | Working pressure | Control pressure | Temp range | Kv value (m3/k) |
|-----------|---------|------------------------------|------------------|------------------|----------------------------------|-----------------|
| RQ22HD-15 | 13mm | Compress Air Water Oil | 0-0.8MPa | 0.4-0.8MPa | -5~80°C -20~150°C (High temp) | 4 |
| RQ22HD-20 | 16mm | | | | | 5 |
| RQ22HD-25 | 22mm | | | | | 10 |
| RQ22HD-40 | 35mm | | | | | 25 |
| RQ22HD-50 | 45mm | | | | | 40 |