

# Pilot no-return valve

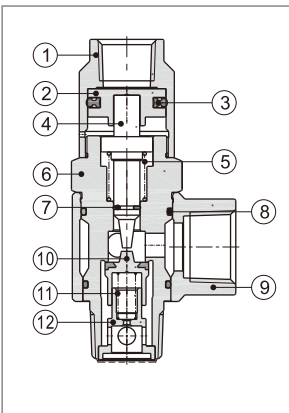
## PCV series



### Symbol



### Inner structure



No.	Item	Material
1	Pilot body	Aluminum alloy or Brass
2	Piston	Brass
3	Gasket	NBR
4	Spool	Brass
5	Spring	SUS304
6	Body	Brass
7	Spool O-ring	NBR
8	O-ring	NBR
9	Conversion fitting	Aluminum alloy or Brass
10	Pluger	Brass+NBR
11	Spring	SUS304
12	Pedestal	Brass

### Specification

Model	PCV06	PCV08	PCV10	PCV15	PCV06F	PCV08F	PCV10F	PCV15F	
Fluid	Air (to be filtered by 40µm filter element)								
Operating pressure range	0.15~1.0MPa								
Proof pressure	1.5MPa								
Temperature	-20~70(°C)								
Operating frequency	6(Cycle/minute)	40(Cycle/minute)	60(Cycle/minute)	40(Cycle/minute)					
Port size [Note 1]	1/8"	1/4"	3/8"	1/2"	1/8"	1/4"	3/8"	1/2"	
Pilot port size	M5X0.8	1/8"	1/4"	1/4"	Φ6	Φ6	Φ8	Φ8	
Weight (g)	PT thread	53.2	94.8	142.8	189.6	53	90	142.2	188.1
	G thread	54.6	94.8	145	189	54.2	90.6	143.4	187.6

[Note 1] G thread is available.

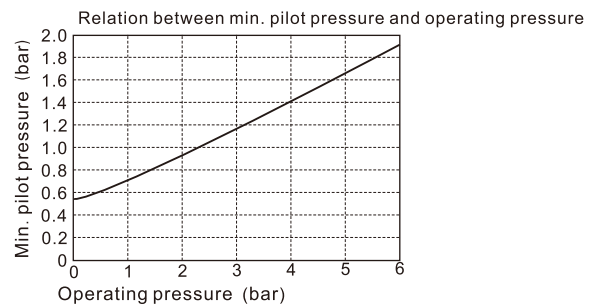
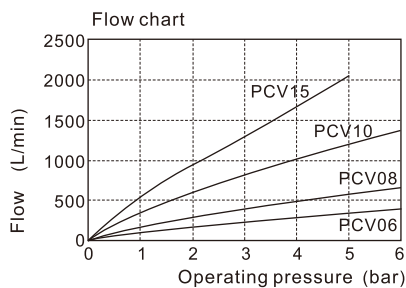
### Product feature

1. Can be used for safety loop of pressure holding.
2. Can make cylinder momentary stop, accurate orientation.
3. Can be used special loop.
4. Fitting joint type is used for pilot port, which saved space and improve efficiency of installation.

### Ordering code

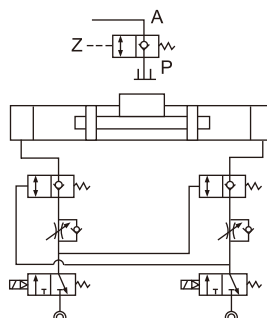
PCV 06 □ G					
		①	②	③	④
① Model	② Port size	③ Pilot port type		④ Thread type	
PCV: Pilot no-return valve	06: 1/8" 08: 1/4" 10: 3/8" 15: 1/2"	Blank: Female thread	Pilot port type	Pilot port size	Inlet/outlet port size
				M5X0.8	1/8"
		F: Fitting		1/8"	1/4"
				Φ6	3/8", 1/2"
			Φ8	3/8", 1/2"	G: G Thread

### Flow chart, Relation between min. pilot pressure and operating pressure



### Typical application

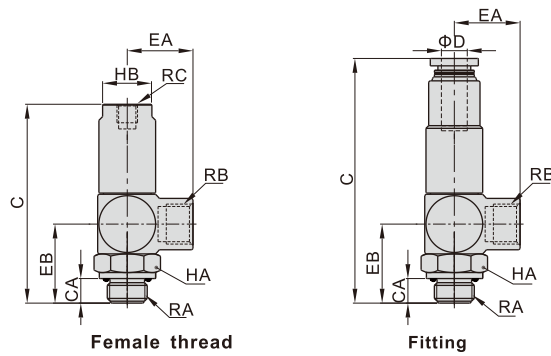
#### Accurate orientation



# Pilot no-return valve

## PCV series

### Dimensions



Model\Item	C	CA	D	EA	EB	HA	HB	RA	RB	RC
PCV06G	48.5	5.5	-	16	19	14	12	G1/8	G1/8	M5X0.8
PCV08G	59	6.5	-	20.3	24	17	14	G1/4	G1/4	G1/8
PCV10G	74.5	7.5	-	25	30.5	22	17	G3/8	G3/8	G1/4
PCV15G	79.5	9	-	28	34.5	24	19	G1/2	G1/2	G1/4
PCV06FG	58.5	5.5	6	16	19	14	-	G1/8	G1/8	-
PCV08FG	67	6.5	6	20.3	24	17	-	G1/4	G1/4	-
PCV10FG	82	7.5	8	25	30.5	22	-	G3/8	G3/8	-
PCV15FG	87	9	8	28	34.5	24	-	G1/2	G1/2	-