

## One-touch fittings—threaded type

### Ordering code

Same diameter type fittings

GPL 6 01 □

① ② ③ ④

| ① Model  | ② Port size                              | ③ Thread connection                                     | ④ Standard color   |
|--|--|---|--|
| GPHW: Double universal male elbow (G thread)<br> | GPL: Male elbow (G thread)<br>           | Thread connection<br>Adaptable port size                | Standard color<br>Specification<br>Release button: Gray<br>Adaptable model<br>GPCF<br>GPMF |
| GPHF: Universal female elbow (G thread)<br>      | GPLL: Extended male elbow (G thread)<br> | M5: M5X0.8<br>Φ4, Φ6                                    | Blank: Gray<br>Release button: Gray<br>Body: Gray<br>Others                                |
| GPEB: Male branch tee (G thread)<br>             | GPLF: Female elbow (G thread)<br>        |   |  |
| GPED: Male run tee (G thread)<br>                | GPCF: Female connector (G thread)<br>    | 4: Φ4mm<br>6: Φ6mm<br>8: Φ8mm<br>10: Φ10mm<br>12: Φ12mm | Release button: Black<br>GPCF<br>GPMF  |
| GPYB: Branch "Y" (G thread)<br>                  | GPMF: Bulkhead connector (G thread)<br>  |   |  |
| GPZB: Threaded cross (G thread)<br>              | GPH: Universal male elbow (G thread)<br> | 01: G1/8<br>02: G1/4<br>03: G3/8<br>04: G1/2            | D: Black<br>Release button: Black<br>Body: Black<br>Others                                 |

Different diameter type fittings

GPKD 6-4 01 □

① ② ③ ④ ⑤

| ① Model   | ② Port size                     | ③ Port size                   | ④ Thread connection              | ⑤ Standard color   |
|---|---------------------------------|-------------------------------|----------------------------------|--|
| GPKD: Male reducer triple branch (G thread)<br> | 6: Φ6mm<br>8: Φ8mm<br>10: Φ10mm | 4: Φ4mm<br>6: Φ6mm<br>8: Φ8mm | 01: G1/8<br>02: G1/4<br>03: G3/8 | Standard color<br>Specification<br>Blank: Gray<br>Release button: Gray/Body: Gray<br>D: Black<br>Release button: Black/Body: Black |

### Specification

|                                    |                                    |
|------------------------------------|------------------------------------|
| <b>Operating pressure range</b>    | 0~10kgf/cm <sup>2</sup> (0~1.0MPa) |
| Negative pressure                  | -750mmHg(10Torr)                   |
| Proof pressure                     | 1.5MPa                             |
| Ambient and fluid temperature (°C) | -20~70                             |
| Applicable tubing                  | Soft nylon or polyurethane         |
| Color                              | Gray/black                         |

### Product feature

- Variable models can be widely used in every kind of pneumatic systems.
- High circulation performance: bear the same flow with the volume of the tubing inside diameter.
- Connect tubing easily and conveniently. The tubing connection portion is safe and durable.
- The thread is attached with a sealing gasket to prevent air leakage over the connection thread portion.
- The nickel plated body is anti-corrosion and anti-pollution, which allows a broader application.

### Inner structure

| GPL Series |  | No. | Item           | Material        |
|------------|--|-----|----------------|-----------------|
|            |  | 1   | Release button | POM             |
|            |  | 2   | Guide          | Aluminum alloy  |
|            |  | 3   | Spring gasket  | Stainless steel |
|            |  | 4   | Chuck          | POM             |
|            |  | 5   | O-ring         | NBR             |
|            |  | 6   | Body           | PBT             |
|            |  | 7   | O-ring         | NBR             |
|            |  | 8   | Stud           | Brass           |
|            |  | 9   | O-ring         | NBR             |

### Table for interface port and tube O.D.

| Product series | Thread type | Port size |    |    |     |     |
|----------------|-------------|-----------|----|----|-----|-----|
|                |             | Φ4        | Φ6 | Φ8 | Φ10 | Φ12 |
| GPL            | M5          | ●         |    |    |     |     |
|                | G1/8        | ●         | ●  | ●  | ●   | ●   |
|                | G1/4        | ●         | ●  | ●  | ●   | ●   |
|                | G3/8        | ●         | ●  | ●  | ●   | ●   |
|                | G1/2        | ●         | ●  | ●  | ●   | ●   |
| GPLL           | M5          | ●         | ●  |    |     |     |
|                | G1/8        | ●         | ●  | ●  | ●   |     |
|                | G1/4        | ●         | ●  | ●  | ●   | ●   |
|                | G3/8        | ●         | ●  | ●  | ●   | ●   |
| GPEB           | M5          | ●         | ●  |    |     |     |
|                | G1/8        | ●         | ●  | ●  | ●   |     |
|                | G1/4        | ●         | ●  | ●  | ●   | ●   |
| GPED           | M5          | ●         | ●  |    |     |     |
|                | G1/8        | ●         | ●  | ●  | ●   |     |
|                | G1/4        | ●         | ●  | ●  | ●   | ●   |
| GPYB           | M5          | ●         | ●  |    |     |     |
|                | G1/8        | ●         | ●  | ●  | ●   |     |
|                | G3/8        | ●         | ●  | ●  | ●   | ●   |
| GPH            | M5          | ●         | ●  |    |     |     |
|                | G1/8        | ●         | ●  | ●  | ●   |     |
|                | G1/4        | ●         | ●  | ●  | ●   | ●   |
|                | G3/8        | ●         | ●  | ●  | ●   | ●   |
| GPHF           | M5          | ●         | ●  |    |     |     |
|                | G1/8        | ●         | ●  | ●  | ●   |     |
|                | G1/4        | ●         | ●  | ●  | ●   | ●   |
| GPHW           | M5          | ●         | ●  |    |     |     |
|                | G1/8        | ●         | ●  | ●  | ●   |     |
|                | G1/4        | ●         | ●  | ●  | ●   | ●   |
|                | G3/8        | ●         | ●  | ●  | ●   | ●   |
| GPZB           | M5          | ●         | ●  |    |     |     |
|                | G1/8        | ●         | ●  | ●  | ●   |     |
|                | G1/4        | ●         | ●  | ●  | ●   | ●   |

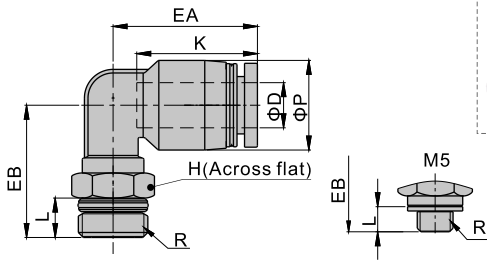
| Product series | Thread type | Port size |       |        |
|----------------|-------------|-----------|-------|--------|
|                |             | Φ6-Φ4     | Φ8-Φ6 | Φ10-Φ8 |
| GPKD           | G1/8        | ●         |       |        |
|                | G1/4        |           | ●     |        |
|                | G3/8        |           |       | ●      |

# Accessories—One-Touch Fittings

## One-touch fittings—threaded type

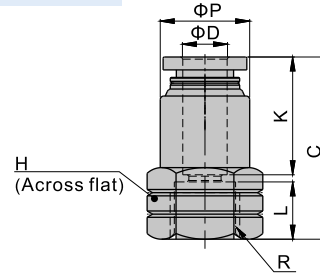
### Dimensions

#### GPL Series



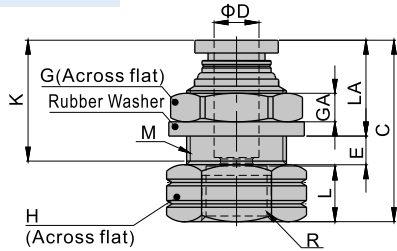
| Model\Item | ΦD   | R      | ΦP   | L   | K    | EA   | EB   | H    | Weight(g) | PCS/bag |
|------------|------|--------|------|-----|------|------|------|------|-----------|---------|
| GPL6M5     | 6    | M5×0.8 | 12.5 | 3.5 | 17   | 20   | 17.0 | 8    | 4.5       | 10      |
| GPL601     |      | G1/8   | 12.5 | 5.5 | 17   | 20   | 18.5 | 10   | 5.2       | 10      |
| GPL602     |      | G1/4   | 12.5 | 6.5 | 17   | 20   | 22.0 | 14   | 11.9      | 10      |
| GPL603     |      | G3/8   | 12.5 | 7   | 17   | 20   | 23.0 | 19   | 20.5      | 10      |
| GPL604     | G1/2 | 12.5   | 8.5  | 17  | 20   | 26.5 | 22   | 32.7 | 10        |         |
| GPL801     | 8    | G1/8   | 15   | 5.5 | 18.5 | 23   | 19.0 | 10   | 6.9       | 10      |
| GPL802     |      | G1/4   | 15   | 6.5 | 18.5 | 23   | 24.0 | 14   | 12.2      | 10      |
| GPL803     |      | G3/8   | 15   | 7   | 18.5 | 23   | 24.0 | 19   | 21        | 10      |
| GPL804     |      | G1/2   | 15   | 8.5 | 18.5 | 23   | 27.5 | 22   | 32.7      | 10      |
| GPL1001    | 10   | G1/8   | 18   | 5.5 | 21   | 25.5 | 24.5 | 17   | 16.3      | 10      |
| GPL1002    |      | G1/4   | 18   | 6.5 | 21   | 25.5 | 25.0 | 17   | 17.4      | 10      |
| GPL1003    |      | G3/8   | 18   | 7   | 21   | 25.5 | 25.5 | 19   | 21        | 10      |
| GPL1004    |      | G1/2   | 18   | 8.5 | 21   | 25.5 | 29.0 | 22   | 33.7      | 10      |
| GPL1201    | 12   | G1/8   | 21   | 5.5 | 23   | 28.5 | 26.0 | 17   | 18.8      | 10      |
| GPL1202    |      | G1/4   | 21   | 6.5 | 23   | 28.5 | 26.5 | 17   | 19.9      | 10      |
| GPL1203    |      | G3/8   | 21   | 7   | 23   | 29.5 | 30.5 | 19   | 27.4      | 10      |
| GPL1204    |      | G1/2   | 21   | 8.5 | 23   | 29.5 | 30.5 | 22   | 33.7      | 10      |

#### GPCF Series



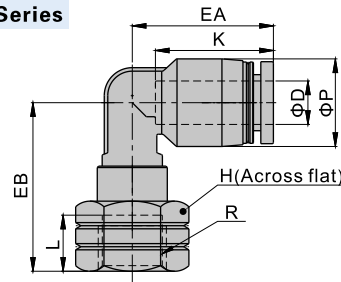
| Model\Item | ΦD | R      | ΦP   | L    | C    | K    | H  | Weight(g) | PCS/bag |
|------------|----|--------|------|------|------|------|----|-----------|---------|
| GPCF4M5    | 4  | M5×0.8 | 9    | 5    | 21   | 14   | 10 | 2.7       | 10      |
| GPCF401    |    | G1/8   | 9.5  | 8    | 23   | 14   | 14 | 4.5       | 10      |
| GPCF402    | 6  | G1/4   | 9.5  | 11   | 26   | 14   | 17 | 6.5       | 10      |
| GPCF6M5    |    | M5×0.8 | 12   | 5    | 21.5 | 16.5 | 12 | 3.9       | 10      |
| GPCF601    | 6  | G1/8   | 12.5 | 8    | 25.5 | 16.5 | 14 | 5.6       | 10      |
| GPCF602    |    | G1/4   | 12.5 | 11   | 28.5 | 16.5 | 17 | 7.5       | 10      |
| GPCF603    |    | G3/8   | 13   | 12   | 29.5 | 16.5 | 21 | 10.7      | 10      |
| GPCF604    |    | G1/2   | 13   | 13.5 | 31.0 | 16.5 | 25 | 13.8      | 10      |
| GPCF801    | 8  | G1/8   | 14   | 8    | 27.5 | 18.5 | 14 | 5.8       | 10      |
| GPCF802    |    | G1/4   | 14.5 | 11   | 30.5 | 18.5 | 17 | 8.4       | 10      |
| GPCF803    |    | G3/8   | 14.5 | 12   | 31.5 | 18.5 | 21 | 11.2      | 10      |
| GPCF804    |    | G1/2   | 14.5 | 13.5 | 33   | 18.5 | 25 | 14.4      | 10      |
| GPCF1001   | 10 | G1/8   | 17   | 8    | 29   | 21   | 17 | 9.5       | 10      |
| GPCF1002   |    | G1/4   | 17   | 11   | 33   | 21   | 17 | 9.9       | 10      |
| GPCF1003   |    | G3/8   | 18   | 12   | 34   | 21   | 21 | 14        | 10      |
| GPCF1004   |    | G1/2   | 18   | 13.5 | 35.5 | 21   | 25 | 17.1      | 10      |
| GPCF1202   | 12 | G1/4   | 21   | 11   | 33.5 | 23   | 21 | 17.5      | 10      |
| GPCF1203   |    | G3/8   | 21   | 12   | 35.5 | 23   | 21 | 16.6      | 10      |
| GPCF1204   |    | G1/2   | 21   | 13.5 | 37   | 23   | 25 | 19.7      | 10      |

#### GPMF Series



| Model\Item | ΦD | R    | M     | L    | C    | K    | LA   | E   | GA | G  | H  | Weight(g) | PCS/bag |
|------------|----|------|-------|------|------|------|------|-----|----|----|----|-----------|---------|
| GPMF401    | 4  | G1/8 | M12X1 | 8    | 25   | 14   | 12.0 | 4   | 4  | 14 | 14 | 6.4       | 10      |
| GPMF402    |    | G1/4 | M12X1 | 11   | 29   | 14   | 12.0 | 4   | 4  | 14 | 17 | 9         | 10      |
| GPMF601    | 6  | G1/8 | M14X1 | 8    | 25.5 | 16.5 | 12.5 | 5   | 4  | 17 | 17 | 9.1       | 10      |
| GPMF602    |    | G1/4 | M14X1 | 11   | 30.5 | 16.5 | 12.5 | 5   | 4  | 17 | 17 | 10.9      | 10      |
| GPMF603    |    | G3/8 | M14X1 | 12   | 31.5 | 16.5 | 12.5 | 5   | 4  | 17 | 21 | 13.2      | 10      |
| GPMF801    |    | G1/8 | M16X1 | 8    | 27.5 | 18.5 | 13.5 | 5.5 | 4  | 19 | 19 | 12.8      | 10      |
| GPMF802    | 8  | G1/4 | M16X1 | 11   | 32   | 18.5 | 13.5 | 5.5 | 4  | 19 | 19 | 15.7      | 10      |
| GPMF803    |    | G3/8 | M16X1 | 12   | 33   | 18.5 | 13.5 | 5.5 | 4  | 19 | 21 | 15        | 10      |
| GPMF804    |    | G1/2 | M16X1 | 13.5 | 34.5 | 18.5 | 13.5 | 5.5 | 4  | 19 | 25 | 18.1      | 10      |
| GPMF1001   |    | G1/8 | M20X1 | 8    | 30   | 21   | 14.5 | 7.5 | 5  | 24 | 22 | 19.6      | 10      |
| GPMF1002   | 10 | G1/4 | M20X1 | 11   | 35   | 21   | 14.5 | 7.5 | 5  | 24 | 22 | 22.8      | 10      |
| GPMF1003   |    | G3/8 | M20X1 | 12   | 36   | 21   | 14.5 | 7.5 | 5  | 24 | 22 | 21.1      | 10      |
| GPMF1004   |    | G1/2 | M20X1 | 13.5 | 37.5 | 21   | 14.5 | 7.5 | 5  | 24 | 25 | 23.2      | 10      |
| GPMF1202   |    | G1/4 | M22X1 | 11   | 34.5 | 23   | 15.5 | 8   | 6  | 27 | 24 | 26.2      | 10      |
| GPMF1203   | 12 | G3/8 | M22X1 | 12   | 37.5 | 23   | 15.5 | 8   | 6  | 27 | 24 | 27        | 10      |
| GPMF1204   |    | G1/2 | M22X1 | 13.5 | 39   | 23   | 15.5 | 8   | 6  | 27 | 25 | 26.2      | 10      |

#### GPLF Series

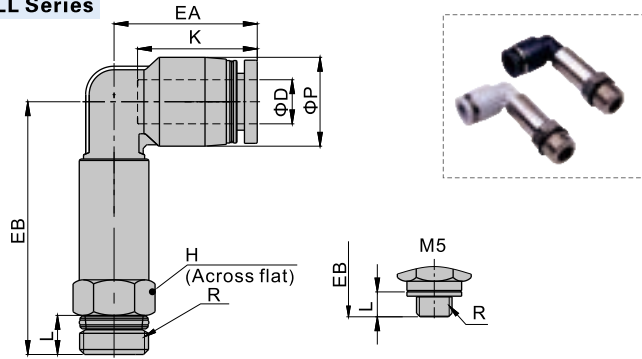


| Model\Item | ΦD | R      | ΦP   | L    | K    | EA   | EB   | H  | Weight(g) | PCS/bag |
|------------|----|--------|------|------|------|------|------|----|-----------|---------|
| GPLF4M5    | 4  | M5×0.8 | 9    | 5    | 14   | 17   | 16   | 10 | 2.9       | 10      |
| GPLF401    |    | G1/8   | 9    | 8    | 14   | 17   | 21   | 14 | 4.6       | 10      |
| GPLF402    | 6  | G1/4   | 9    | 11   | 14   | 17   | 24   | 17 | 6.8       | 10      |
| GPLF6M5    |    | M5×0.8 | 12.5 | 5    | 17   | 20   | 18.5 | 10 | 7         | 10      |
| GPLF601    | 6  | G1/8   | 12.5 | 8    | 17   | 20   | 23   | 14 | 5.8       | 10      |
| GPLF602    |    | G1/4   | 12.5 | 11   | 17   | 20   | 26   | 17 | 8         | 10      |
| GPLF603    |    | G3/8   | 12.5 | 12   | 17   | 20   | 27   | 21 | 10.7      | 10      |
| GPLF801    |    | G1/8   | 15   | 8    | 18.5 | 23   | 20   | 14 | 6.6       | 10      |
| GPLF802    | 8  | G1/4   | 15   | 11   | 18.5 | 23   | 27.5 | 17 | 9.2       | 10      |
| GPLF803    |    | G3/8   | 15   | 12   | 18.5 | 23   | 28.5 | 21 | 11.9      | 10      |
| GPLF804    |    | G1/2   | 15   | 13.5 | 18.5 | 23   | 30   | 25 | 15.2      | 10      |
| GPLF1001   |    | G1/8   | 18   | 8    | 21   | 25.5 | 24   | 17 | 11.3      | 10      |
| GPLF1002   | 10 | G1/4   | 18   | 11   | 21   | 25.5 | 26.5 | 17 | 11.2      | 10      |
| GPLF1003   |    | G3/8   | 18   | 12   | 21   | 25.5 | 30   | 21 | 14.5      | 10      |
| GPLF1004   |    | G1/2   | 18   | 13.5 | 21   | 25.5 | 31.5 | 25 | 17.4      | 10      |
| GPLF1202   |    | G1/4   | 21   | 11   | 23   | 28.5 | 28.5 | 17 | 13.7      | 10      |
| GPLF1203   | 12 | G3/8   | 21   | 12   | 23   | 29.5 | 32   | 21 | 17.4      | 10      |
| GPLF1204   |    | G1/2   | 21   | 13.5 | 23   | 29.5 | 33   | 25 | 20.4      | 10      |

# Accessories—One-Touch Fittings

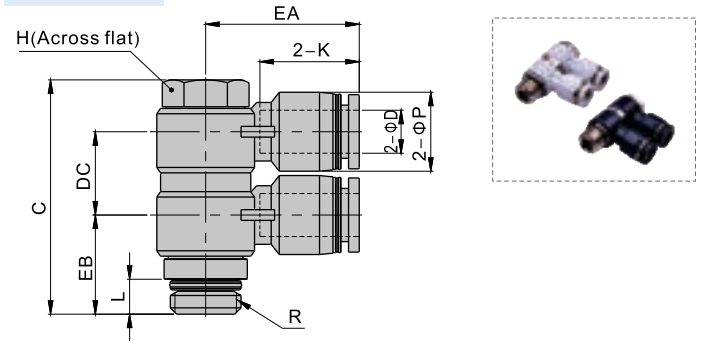
## One-touch fittings—threaded type

### GPLL Series



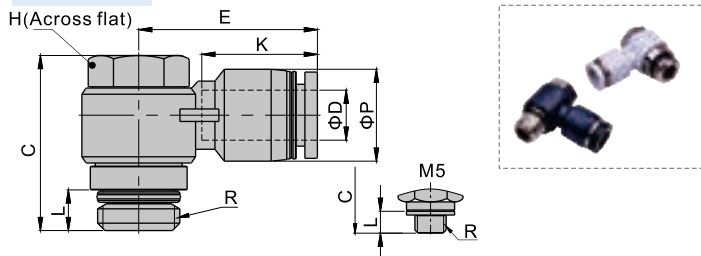
| Model\Item | ΦD | R      | ΦP   | L   | K    | EA   | EB   | H  | Weight(g) | PCS/bag |
|------------|----|--------|------|-----|------|------|------|----|-----------|---------|
| GPLL4M5    | 4  | M5×0.8 | 9    | 3.5 | 14   | 17   | 32.5 | 8  | 8.9       | 10      |
| GPLL401    |    | G1/8   | 9    | 5.5 | 14   | 17   | 33.5 | 10 | 11.4      | 10      |
| GPLL402    |    | G1/4   | 9    | 6.5 | 14   | 17   | 36.5 | 14 | 15.3      | 10      |
| GPLL6M5    | 6  | M5×0.8 | 12.5 | 3.5 | 17   | 20   | 34.5 | 8  | 9.9       | 10      |
| GPLL601    |    | G1/8   | 12.5 | 5.5 | 17   | 20   | 35.5 | 10 | 12.1      | 10      |
| GPLL602    |    | G1/4   | 12.5 | 6.5 | 17   | 20   | 38.5 | 14 | 16.4      | 10      |
| GPLL603    |    | G3/8   | 12.5 | 7   | 17   | 20   | 41   | 19 | 24        | 10      |
| GPLL801    | 8  | G1/8   | 15   | 5.5 | 18.5 | 23   | 43   | 12 | 16.4      | 10      |
| GPLL802    |    | G1/4   | 15   | 6.5 | 18.5 | 23   | 43.5 | 14 | 21.1      | 10      |
| GPLL803    |    | G3/8   | 15   | 7   | 18.5 | 23   | 46   | 19 | 28.5      | 10      |
| GPLL1001   | 10 | G1/8   | 18   | 5.5 | 21   | 25.5 | 50   | 15 | 37.3      | 10      |
| GPLL1002   |    | G1/4   | 18   | 6.5 | 21   | 25.5 | 51.5 | 15 | 39        | 10      |
| GPLL1003   |    | G3/8   | 18   | 7   | 21   | 25.5 | 52.5 | 19 | 41.5      | 10      |
| GPLL1004   |    | G1/2   | 18   | 8.5 | 21   | 25.5 | 53.5 | 22 | 44.1      | 10      |
| GPLL1202   | 12 | G1/4   | 21   | 6.5 | 23   | 28.5 | 56   | 15 | 44        | 10      |
| GPLL1203   |    | G3/8   | 21   | 7   | 23   | 29.5 | 58   | 19 | 56.8      | 10      |
| GPLL1204   |    | G1/2   | 21   | 8.5 | 23   | 29.5 | 59.5 | 22 | 53.4      | 10      |

### GPHW Series



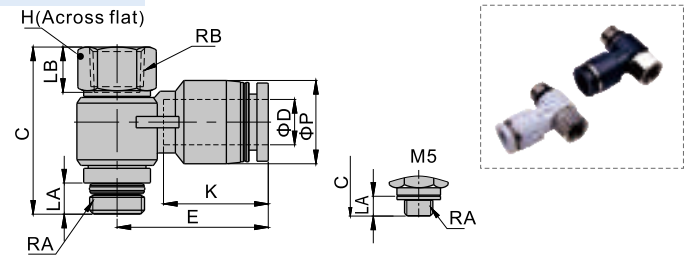
| Model\Item | ΦD | R    | ΦP   | L   | C    | K    | EA   | EB   | DC   | H  | Weight(g) | PCS/bag |
|------------|----|------|------|-----|------|------|------|------|------|----|-----------|---------|
| GPHW401    | 4  | G1/8 | 9    | 5.5 | 38   | 14   | 20.5 | 14.5 | 13   | 11 | 19        | 10      |
| GPHW601    | 6  | G1/8 | 12.5 | 5.5 | 38   | 16.5 | 23.0 | 15   | 13   | 11 | 21        | 10      |
| GPHW602    |    | G1/4 | 12.5 | 6.5 | 43.5 | 16.5 | 25.0 | 17.5 | 15.5 | 14 | 40.2      | 10      |
| GPHW603    |    | G3/8 | 12.5 | 7   | 50   | 16.5 | 27.0 | 20   | 16.5 | 19 | 69.2      | 5       |
| GPHW801    | 8  | G1/8 | 15   | 5.5 | 40.5 | 18.5 | 26.5 | 16.5 | 15.5 | 11 | 23.6      | 10      |
| GPHW802    |    | G1/4 | 15   | 6.5 | 43.5 | 18.5 | 28.5 | 18.5 | 15.5 | 14 | 40.8      | 10      |
| GPHW803    |    | G3/8 | 15   | 7   | 50   | 18.5 | 29.5 | 20   | 16.5 | 19 | 70.4      | 5       |
| GPHW804    |    | G1/2 | 15   | 8.5 | 61   | 18.5 | 32   | 24.5 | 22   | 24 | 134.8     | 5       |
| GPHW1002   | 10 | G1/4 | 18   | 6.5 | 46.5 | 21   | 31   | 20   | 18.5 | 14 | 47        | 10      |
| GPHW1003   |    | G3/8 | 18   | 7   | 55   | 21   | 33   | 21   | 22   | 19 | 87.5      | 5       |
| GPHW1004   |    | G1/2 | 18   | 8.5 | 61   | 21   | 35.5 | 25   | 22   | 24 | 137.7     | 5       |
| GPHW1203   | 12 | G3/8 | 21   | 7   | 55   | 23   | 36   | 23   | 22   | 19 | 86.4      | 5       |
| GPHW1204   |    | G1/2 | 21   | 8.5 | 61   | 23   | 38   | 26.5 | 22   | 24 | 147.5     | 5       |

### GPH Series



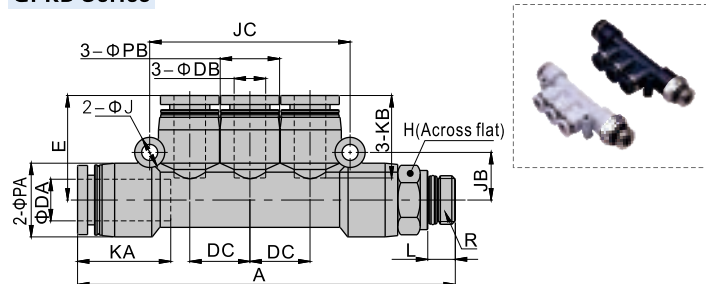
| Model\Item | ΦD | R      | ΦP   | L   | C  | K    | E    | H  | Weight(g) | PCS/bag |
|------------|----|--------|------|-----|----|------|------|----|-----------|---------|
| GPH4M5     | 4  | M5×0.8 | 9    | 3.5 | 17 | 14   | 19   | 8  | 5.8       | 10      |
| GPH401     |    | G1/8   | 9    | 5.5 | 25 | 14   | 20.5 | 11 | 12.8      | 10      |
| GPH6M5     | 6  | M5×0.8 | 12.5 | 3.5 | 17 | 16.5 | 23.5 | 8  | 6.8       | 10      |
| GPH601     |    | G1/8   | 12.5 | 5.5 | 25 | 16.5 | 23   | 11 | 14        | 10      |
| GPH602     |    | G1/4   | 12.5 | 6.5 | 28 | 16.5 | 25   | 14 | 25.4      | 10      |
| GPH603     |    | G3/8   | 12.5 | 7   | 33 | 16.5 | 27   | 19 | 50.2      | 5       |
| GPH801     | 8  | G1/8   | 15   | 5.5 | 25 | 18.5 | 26.5 | 11 | 14.7      | 10      |
| GPH802     |    | G1/4   | 15   | 6.5 | 28 | 18.5 | 28.5 | 14 | 26.4      | 10      |
| GPH803     |    | G3/8   | 15   | 7   | 33 | 18.5 | 29.5 | 19 | 49.4      | 5       |
| GPH804     |    | G1/2   | 15   | 8.5 | 39 | 18.5 | 32   | 24 | 89        | 5       |
| GPH1002    | 10 | G1/4   | 18   | 6.5 | 28 | 21   | 31   | 14 | 27.7      | 10      |
| GPH1003    |    | G3/8   | 18   | 7   | 33 | 21   | 33   | 19 | 51.1      | 5       |
| GPH1004    |    | G1/2   | 18   | 8.5 | 39 | 21   | 35.5 | 24 | 88.5      | 5       |
| GPH1203    | 12 | G3/8   | 21   | 7   | 33 | 23   | 36   | 19 | 53        | 5       |
| GPH1204    |    | G1/2   | 21   | 8.5 | 39 | 23   | 38   | 24 | 92.8      | 5       |

### GPHF Series



| Model\Item | ΦD | RA     | RB     | ΦP   | LA  | LB   | C    | K    | E    | H  | Weight(g) | PCS/bag |
|------------|----|--------|--------|------|-----|------|------|------|------|----|-----------|---------|
| GPHF4M5    | 4  | M5×0.8 | M5×0.8 | 9    | 3.5 | 6    | 20   | 14   | 19   | 8  | 6.2       | 10      |
| GPHF401    |    | G1/8   | G1/8   | 9    | 5.5 | 8    | 29.5 | 14   | 20.5 | 12 | 12.9      | 10      |
| GPHF6M5    | 6  | M5×0.8 | M5×0.8 | 12.5 | 3.5 | 6    | 20   | 16.5 | 23.5 | 8  | 7.1       | 10      |
| GPHF601    |    | G1/8   | G1/8   | 12.5 | 5.5 | 8    | 29.5 | 16.5 | 23   | 12 | 13.9      | 10      |
| GPHF602    |    | G1/4   | G1/4   | 12.5 | 6.5 | 11   | 35   | 16.5 | 25   | 17 | 30.3      | 10      |
| GPHF603    |    | G3/8   | G3/8   | 12.5 | 7   | 12   | 40   | 16.5 | 27   | 19 | 44.2      | 5       |
| GPHF801    | 8  | G1/8   | G1/8   | 15   | 5.5 | 8    | 29.5 | 18.5 | 26.5 | 12 | 15        | 10      |
| GPHF802    |    | G1/4   | G1/4   | 15   | 6.5 | 11   | 35   | 18.5 | 28.5 | 17 | 30.7      | 10      |
| GPHF803    |    | G3/8   | G3/8   | 15   | 7   | 12   | 40   | 18.5 | 29.5 | 19 | 44.8      | 5       |
| GPHF804    |    | G1/2   | G1/2   | 15   | 8.5 | 13.5 | 47.5 | 18.5 | 32   | 24 | 84.7      | 5       |
| GPHF1002   | 10 | G1/4   | G1/4   | 18   | 6.5 | 11   | 35   | 21   | 31   | 17 | 32        | 10      |
| GPHF1003   |    | G3/8   | G3/8   | 18   | 7   | 12   | 40   | 21   | 33   | 19 | 46.2      | 5       |
| GPHF1004   |    | G1/2   | G1/2   | 18   | 8.5 | 13.5 | 47.5 | 21   | 35.5 | 24 | 86.1      | 5       |
| GPHF1203   | 12 | G3/8   | G3/8   | 21   | 7   | 12   | 40   | 23   | 36   | 19 | 48.4      | 5       |
| GPHF1204   |    | G1/2   | G1/2   | 21   | 8.5 | 13.5 | 47.5 | 23   | 38   | 24 | 89.7      | 5       |

### GPKD Series



| Model\Item | ΦDA | ΦDB | R    | L   | A    | ΦPA  | ΦPB  | KA   | KB   |
|------------|-----|-----|------|-----|------|------|------|------|------|
| GPKD6-401  | 6   | 4   | G1/8 | 5.5 | 66   | 12.5 | 9    | 16.5 | 14   |
| GPKD8-602  | 8   | 6   | G1/4 | 6.5 | 77   | 15   | 12.5 | 18.5 | 16.5 |
| GPKD10-803 | 10  | 8   | G3/8 | 7   | 89.5 | 18   | 15   | 21   | 18.5 |

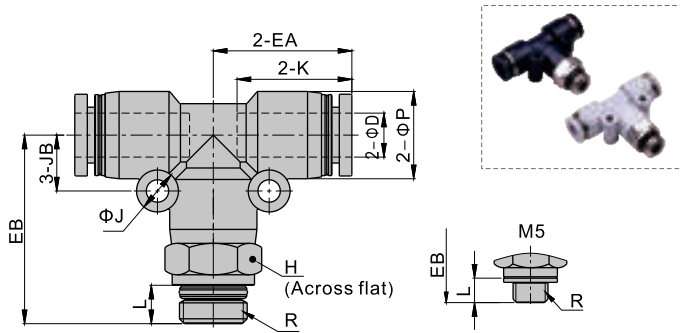
  

| Model\Item | ΦJ  | JB  | JC | DC   | E    | H  | Weight(g) | PCS/bag |
|------------|-----|-----|----|------|------|----|-----------|---------|
| GPKD6-401  | 3.2 | 8   | 34 | 10   | 17.5 | 12 | 14.9      | 2       |
| GPKD8-602  | 3.2 | 9.5 | 40 | 12   | 21   | 14 | 24.9      | 2       |
| GPKD10-803 | 4.3 | 11  | 48 | 14.5 | 24   | 19 | 39        | 2       |

# Accessories—One-Touch Fittings

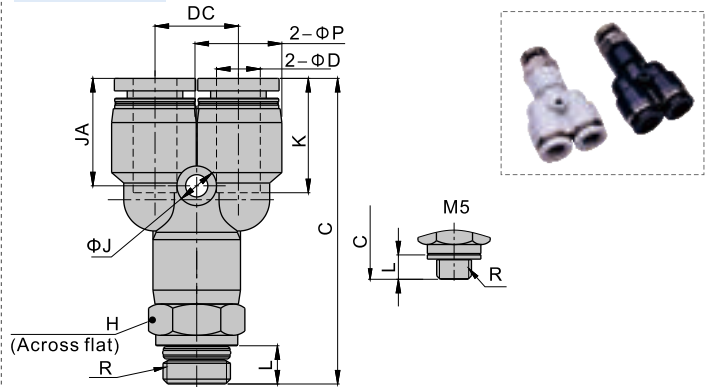
## One-touch fittings—threaded type

### GPEB Series



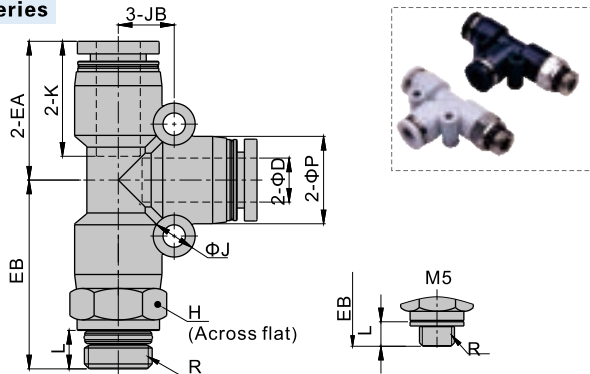
| Model\Item | ΦD     | R    | ΦP   | L    | K    | EA   | EB   | ΦJ  | JB  | H    | Weight(g) | PCS/bag |
|------------|--------|------|------|------|------|------|------|-----|-----|------|-----------|---------|
| GPEB4M5    | M5×0.8 | 9    | 3.5  | 14   | 17   | 21   | 3.2  | 6.5 | 9   | 6.8  | 10        | 10      |
| GPEB401    | 4      | G1/8 | 9    | 5.5  | 14   | 17   | 23   | 3.2 | 6.5 | 10   | 7.9       | 10      |
| GPEB402    | 4      | G1/4 | 9    | 6.5  | 14   | 17   | 26   | 3.2 | 6.5 | 14   | 13.9      | 10      |
| GPEB6M5    | M5×0.8 | 12.5 | 3.5  | 16.5 | 20   | 23.5 | 3.2  | 8   | 12  | 11.2 | 10        | 10      |
| GPEB601    | 6      | G1/8 | 12.5 | 5.5  | 16.5 | 20   | 27   | 3.2 | 8   | 12   | 13.3      | 10      |
| GPEB602    | 6      | G1/4 | 12.5 | 6.5  | 16.5 | 20   | 28.5 | 3.2 | 8   | 14   | 17        | 10      |
| GPEB603    | 6      | G3/8 | 12.5 | 7    | 16.5 | 20   | 30   | 3.2 | 8   | 19   | 26.1      | 10      |
| GPEB801    | 8      | G1/8 | 15   | 5.5  | 18.5 | 23   | 30   | 4.3 | 9.5 | 14   | 18.2      | 10      |
| GPEB802    | 8      | G1/4 | 15   | 6.5  | 18.5 | 23   | 31   | 4.3 | 9.5 | 14   | 19.7      | 10      |
| GPEB803    | 8      | G3/8 | 15   | 7    | 18.5 | 23   | 32.5 | 4.3 | 9.5 | 19   | 29        | 10      |
| GPEB804    | 8      | G1/2 | 15   | 8.5  | 18.5 | 23   | 35   | 4.3 | 9.5 | 22   | 37.7      | 10      |
| GPEB1001   | 10     | G1/8 | 18   | 5.5  | 21   | 26.5 | 33.5 | 4.3 | 11  | 17   | 26.5      | 10      |
| GPEB1002   | 10     | G1/4 | 18   | 6.5  | 21   | 26.5 | 34.5 | 4.3 | 11  | 17   | 27.6      | 10      |
| GPEB1003   | 10     | G3/8 | 18   | 7    | 21   | 26.5 | 35.5 | 4.3 | 11  | 19   | 32.7      | 10      |
| GPEB1004   | 10     | G1/2 | 18   | 8.5  | 21   | 26.5 | 38   | 4.3 | 11  | 22   | 42.1      | 10      |
| GPEB1202   | 12     | G1/4 | 21   | 6.5  | 23   | 30   | 39   | 4.3 | 13  | 21   | 48        | 10      |
| GPEB1203   | 12     | G3/8 | 21   | 7    | 23   | 30   | 40   | 4.3 | 13  | 21   | 49.1      | 10      |
| GPEB1204   | 12     | G1/2 | 21   | 8.5  | 23   | 30   | 41.5 | 4.3 | 13  | 22   | 54        | 10      |

### GPYB Series



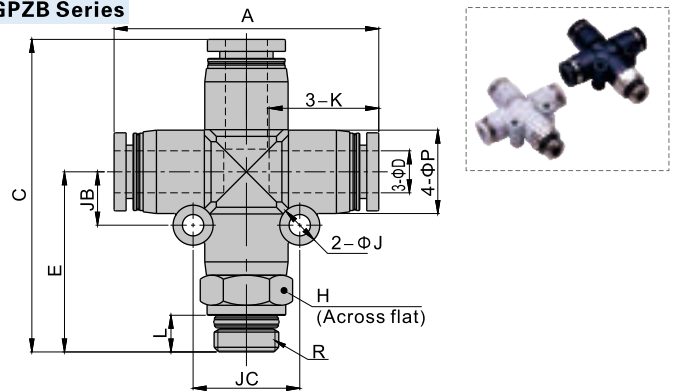
| Model\Item | ΦD     | R    | ΦP   | L    | C    | K    | ΦJ   | JA   | DC   | H    | Weight(g) | PCS/bag |
|------------|--------|------|------|------|------|------|------|------|------|------|-----------|---------|
| GPYB4M5    | M5×0.8 | 9    | 3.5  | 35.5 | 14   | 3.2  | 13   | 10   | 9    | 6.7  | 10        | 10      |
| GPYB401    | 4      | G1/8 | 9    | 5.5  | 37.5 | 14   | 3.2  | 13   | 10   | 10   | 8.1       | 10      |
| GPYB402    | 4      | G1/4 | 9    | 6.5  | 40.5 | 14   | 3.2  | 13   | 10   | 14   | 9.2       | 10      |
| GPYB6M5    | M5×0.8 | 12.5 | 3.5  | 40.5 | 16.5 | 3.2  | 15.5 | 12   | 12   | 11.1 | 10        | 10      |
| GPYB601    | 6      | G1/8 | 12.5 | 5.5  | 44   | 16.5 | 3.2  | 15.5 | 12   | 12   | 13.5      | 10      |
| GPYB602    | 6      | G1/4 | 12.5 | 6.5  | 45.5 | 16.5 | 3.2  | 15.5 | 12   | 14   | 16.6      | 10      |
| GPYB603    | 6      | G3/8 | 12.5 | 7    | 47.0 | 16.5 | 3.2  | 15.5 | 12   | 19   | 25.8      | 10      |
| GPYB801    | 8      | G1/8 | 15   | 5.5  | 50   | 18.5 | 3.2  | 17   | 14.5 | 14   | 19.6      | 10      |
| GPYB802    | 8      | G1/4 | 15   | 6.5  | 50.5 | 18.5 | 3.2  | 17   | 14.5 | 14   | 20.4      | 10      |
| GPYB803    | 8      | G3/8 | 15   | 7    | 52   | 18.5 | 3.2  | 17   | 14.5 | 19   | 28.5      | 10      |
| GPYB804    | 8      | G1/2 | 15   | 8.5  | 55   | 18.5 | 3.2  | 17   | 14.5 | 22   | 37.5      | 10      |
| GPYB1001   | 10     | G1/8 | 18   | 5.5  | 56   | 21   | 4.3  | 19.5 | 18   | 17   | 27.2      | 10      |
| GPYB1002   | 10     | G1/4 | 18   | 6.5  | 57   | 21   | 4.3  | 19.5 | 18   | 17   | 27.9      | 10      |
| GPYB1003   | 10     | G3/8 | 18   | 7    | 58   | 21   | 4.3  | 19.5 | 18   | 19   | 33.3      | 10      |
| GPYB1004   | 10     | G1/2 | 18   | 8.5  | 60.5 | 21   | 4.3  | 19.5 | 18   | 22   | 42.1      | 10      |
| GPYB1202   | 12     | G1/4 | 21   | 6.5  | 64   | 23   | 4.3  | 21   | 20.5 | 21   | 25.7      | 10      |
| GPYB1203   | 12     | G3/8 | 21   | 7    | 65   | 23   | 4.3  | 21   | 20.5 | 21   | 49.7      | 10      |
| GPYB1204   | 12     | G1/2 | 21   | 8.5  | 66   | 23   | 4.3  | 21   | 20.5 | 22   | 53.5      | 10      |

### GPED Series



| Model\Item | ΦD     | R    | ΦP   | L    | K    | EA   | EB   | ΦJ  | JB  | H    | Weight(g) | PCS/bag |
|------------|--------|------|------|------|------|------|------|-----|-----|------|-----------|---------|
| GPED4M5    | M5×0.8 | 9    | 3.5  | 14   | 17   | 21   | 3.2  | 6.5 | 9   | 6.8  | 10        | 10      |
| GPED401    | 4      | G1/8 | 9    | 5.5  | 14   | 17   | 23   | 3.2 | 6.5 | 10   | 7.9       | 10      |
| GPED402    | 4      | G1/4 | 9    | 6.5  | 14   | 17   | 26   | 3.2 | 6.5 | 14   | 13.9      | 10      |
| GPED6M5    | M5×0.8 | 12.5 | 3.5  | 16.5 | 20   | 23.5 | 3.2  | 8   | 12  | 11.2 | 10        | 10      |
| GPED601    | 6      | G1/8 | 12.5 | 5.5  | 16.5 | 20   | 27   | 3.2 | 8   | 12   | 13.3      | 10      |
| GPED602    | 6      | G1/4 | 12.5 | 6.5  | 16.5 | 20   | 28.5 | 3.2 | 8   | 14   | 17        | 10      |
| GPED603    | 6      | G3/8 | 12.5 | 7    | 16.5 | 20   | 30   | 3.2 | 8   | 19   | 26.1      | 10      |
| GPED801    | 8      | G1/8 | 15   | 5.5  | 18.5 | 23   | 30   | 4.3 | 9.5 | 14   | 18.2      | 10      |
| GPED802    | 8      | G1/4 | 15   | 6.5  | 18.5 | 23   | 31   | 4.3 | 9.5 | 14   | 19.7      | 10      |
| GPED803    | 8      | G3/8 | 15   | 7    | 18.5 | 23   | 33   | 4.3 | 9.5 | 19   | 29        | 10      |
| GPED804    | 8      | G1/2 | 15   | 8.5  | 18.5 | 23   | 35   | 4.3 | 9.5 | 22   | 37.7      | 10      |
| GPED1001   | 10     | G1/8 | 18   | 5.5  | 21   | 26.5 | 34   | 4.3 | 11  | 17   | 26.5      | 10      |
| GPED1002   | 10     | G1/4 | 18   | 6.5  | 21   | 26.5 | 35   | 4.3 | 11  | 17   | 27.6      | 10      |
| GPED1003   | 10     | G3/8 | 18   | 7    | 21   | 26.5 | 36   | 4.3 | 11  | 19   | 32.7      | 10      |
| GPED1004   | 10     | G1/2 | 18   | 8.5  | 21   | 26.5 | 38   | 4.3 | 11  | 22   | 42.1      | 10      |
| GPED1202   | 12     | G1/4 | 21   | 6.5  | 23   | 30   | 39   | 4.3 | 13  | 21   | 48        | 10      |
| GPED1203   | 12     | G3/8 | 21   | 7    | 23   | 30   | 40   | 4.3 | 13  | 21   | 49.1      | 10      |
| GPED1204   | 12     | G1/2 | 21   | 8.5  | 23   | 30   | 41.5 | 4.3 | 13  | 22   | 54        | 10      |

### GPZB Series



| Model\Item | ΦD | R    | L   | A    | E    | C    | ΦP   | K    | ΦJ  | JB   | JC | H    | Weight(g) | PCS/bag |
|------------|----|------|-----|------|------|------|------|------|-----|------|----|------|-----------|---------|
| GPZB601    | 6  | G1/8 | 5.5 | 27   | 47   | 12.5 | 16.5 | 3.2  | 8   | 16   | 12 | 15   | 10        | 10      |
| GPZB602    | 6  | G1/4 | 6.5 | 39.5 | 28.5 | 48.5 | 12.5 | 16.5 | 3.2 | 8    | 16 | 14   | 18.8      | 10      |
| GPZB603    | 6  | G3/8 | 7   | 30   | 50   |      |      |      |     |      | 19 | 27.8 | 10        | 10      |
| GPZB801    | 8  | G1/8 | 5.5 | 30   | 53   |      |      |      |     |      | 14 | 20.7 | 10        | 10      |
| GPZB802    | 8  | G1/4 | 6.5 | 46   | 31   | 54   | 15   | 18.5 | 4.3 | 39.5 | 19 | 14   | 22.2      | 10      |
| GPZB803    | 8  | G3/8 | 7   | 32.5 | 55.5 |      |      |      |     |      | 19 | 30.7 | 10        | 10      |
| GPZB804    | 8  | G1/2 | 8.5 | 35   | 58   |      |      |      |     |      | 22 | 40.2 | 10        | 10      |
| GPZB1002   | 10 | G1/4 | 6.5 | 35   | 61   |      |      |      |     |      | 17 | 31.9 | 10        | 10      |
| GPZB1003   | 10 | G3/8 | 7   | 52.5 | 36   | 62   | 18   | 21   | 4.3 | 11   | 22 | 19   | 37.3      | 10      |
| GPZB1004   | 10 | G1/2 | 8.5 | 38   | 64.5 |      |      |      |     |      | 22 | 45.9 | 10        | 10      |
| GPZB1203   | 12 | G3/8 | 7   | 40   | 70   |      |      |      |     |      | 21 | 54.4 | 10        | 10      |
| GPZB1204   | 12 | G1/2 | 8.5 | 59.5 | 41.5 | 71.5 | 21   | 23   | 4.3 | 13   | 26 | 22   | 62.1      | 10      |