

One-touch fittings—tube-tube type

Ordering code

Same diameter type fittings

GPE 6 □

① ② ③

① Model				② Port size	③ Standard color		
GPM: Bulkhead union 	GPE: Union tee 	GPP: Plug 	GPV: Union elbow 	4: Φ4mm 6: Φ6mm 8: Φ8mm 10: Φ10mm 12: Φ12mm	Standard color	Specification	Adaptable model
GPLM: Bulkhead male elbow 	GPY: Union "Y" 	GPZ: Cross 	GPU: Straight union 		Blank: Gray	Release button: Gray Body: Gray	GPM Others
					D: Black	Release button: Black Body: Black	GPM Others

Different diameter type fittings

GPEG 6 - 4 □

① ② ③ ④

① Model					② Port size I	③ Port size II	④ Standard color	
GPG: Different diameter straight 	GPZG: Different diameter cross 	GPEW: Different diameter tee 	GPYW: Different diameter union "Y" 	GPGJ: Plug-in reducer 	4: Φ4mm 6: Φ6mm 8: Φ8mm 10: Φ10mm 12: Φ12mm	4: Φ4mm 6: Φ6mm 8: Φ8mm 10: Φ10mm	Standard color	Specification
GPEG: Different diameter tee 	GPKG: Reducer triple branch union 	GPHK: Universal reducer triple branch union 	GPHD: Universal reducer four branch union 				Blank: Gray	Release button: Gray Body: Gray
							D: Black	Release button: Black Body: Black

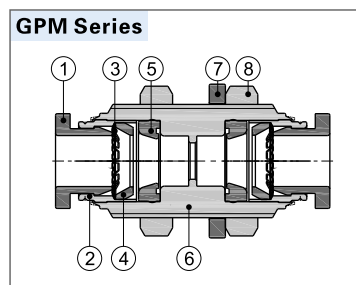
Specification

Operating pressure range	0~10kgf/cm ² (0~1.0MPa)
Negative pressure	-750mmHg(10Torr)
Proof pressure	1.5MPa
Ambient and fluid temperature (°C)	-20~70
Applicable tubing	Soft nylon or polyurethane
Color	Gray/black

Product feature

- Variable models can be widely used in every kind of pneumatic systems.
- High circulation performance: bear the same flow with the volume of the tubing inside diameter.
- Connect tubing easily and conveniently. The tubing connection portion is safe and durable.
- The threaded portion is covered with sealant and the M5 thread is attached with a sealing gasket to prevent air leakage over the connection thread portion.

Inner structure



No.	Item	Material
1	Release button	POM
2	Guide	Aluminum alloy
3	Spring gasket	Stainless steel
4	Chuck	POM
5	O-ring	NBR
6	Body	Aluminum alloy
7	Rubber washer	NBR
8	Nut	Aluminum alloy

Table for interface port and tube O.D.

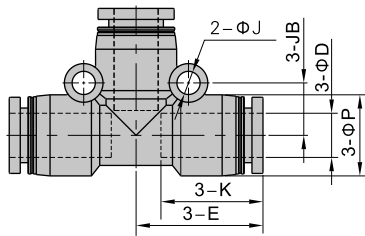
Product series	Port size I	Port size II			
		Φ4	Φ6	Φ8	Φ10
GPG GPGJ	Φ4				
	Φ6	●			
	Φ8	●	●		
	Φ10		●	●	
	Φ12			●	●
GPEG GPEW GPYW	Φ4				
	Φ6	●			
	Φ8		●		
	Φ10			●	
	Φ12			●	●
GPZG	Φ4				
	Φ6	●			
	Φ8		●		
	Φ10			●	
GPKG	Φ4				●
	Φ6	●			
	Φ8		●		
	Φ10			●	
GPHK GPHD	Φ4				
	Φ6				
	Φ8		●		
	Φ10			●	
Product series	Port size				
	Φ4	Φ6	Φ8	Φ10	Φ12
GPE, GPY, GPV, GPU GPM, GPLM, GPP, GPZ	●	●	●	●	●

Accessories—One-Touch Fittings

One-touch fittings—tube-tube type

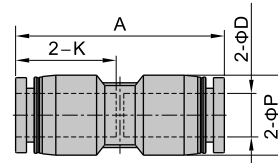
Dimensions

GPE Series



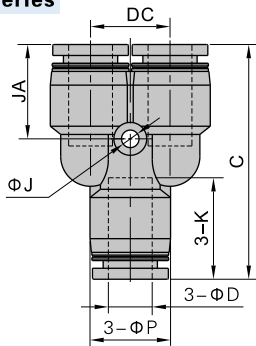
Model\Item	ΦD	ΦP	K	E	ΦJ	JB	Weight(g)	PCS/bag
GPE4	4	9	14	17	3.2	6.5	3.1	10
GPE6	6	12.5	16.5	20	3.2	8	6.1	10
GPE8	8	15	18.5	23	4.3	9.5	8.8	10
GPE10	10	18	21	26.5	4.3	11	13.8	10
GPE12	12	21	23	30	4.3	13	21	10

GPU Series



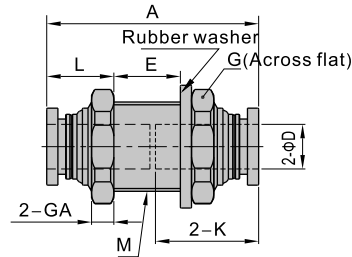
Model\Item	ΦD	ΦP	K	A	Weight(g)	PCS/bag
GPU4	4	9	14	29.5	1.7	10
GPU6	6	12.5	16.5	34	3.6	10
GPU8	8	15	18.5	38.5	5	10
GPU10	10	18	21	43	8.1	10
GPU12	12	21	23	47	12	10

GPY Series



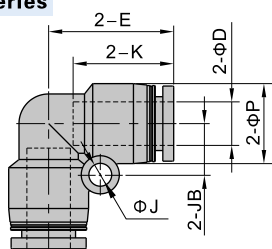
Model\Item	ΦD	ΦP	C	K	ΦJ	JA	DC	Weight(g)	PCS/bag
GPY4	4	9	31.5	14	3.2	13	10	3	10
GPY6	6	12.5	37	16.5	3.2	15.5	12	6	10
GPY8	8	15	42.5	18.5	3.2	17	14.5	8.6	10
GPY10	10	18	48.5	21	4.3	19.5	18	14	10
GPY12	12	21	54.5	23	4.3	21	20.5	21.2	10

GPM Series



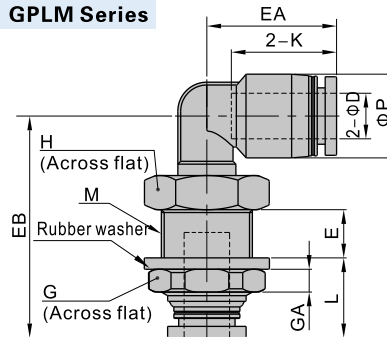
Model\Item	ΦD	M	A	K	L	E	GA	G	Weight(g)	PCS/bag
GPM4	4	M12X1	29	14	10	7	4	14	6.2	10
GPM6	6	M14X1	34	16.5	10.5	11	4	17	9.5	10
GPM8	8	M16X1	38	18.5	11.5	13	4	19	15.7	10
GPM10	10	M20X1	43	21	12.5	16	5	24	22.5	10
GPM12	12	M22X1	46.5	23	13.5	17.5	6	27	29.5	10

GPV Series



Model\Item	ΦD	ΦP	K	E	ΦJ	JB	Weight(g)	PCS/bag
GPV4	4	9	14	17	3.2	6.5	1.9	10
GPV6	6	12.5	16.5	20	3.2	8	4.2	10
GPV8	8	15	18.5	23	4.3	9.5	6	10
GPV10	10	18	21	26.5	4.3	11	9.3	10
GPV12	12	21	23	30	4.3	13	14.6	10

GPLM Series

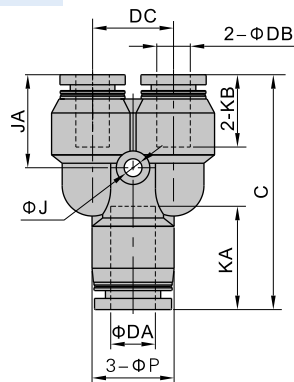


Model\Item	ΦD	ΦP	M	L	E	K	EA	EB	GA	G	H	Weight(g)	PCS/bag
GPLM4	4	9	M12X1	12	7.5	14	17	31	4	14	14	7.5	10
GPLM6	6	12.5	M14X1	12.5	8.5	17	20	35.5	4	17	17	12.1	10
GPLM8	8	15	M16X1	13.5	9	18.5	23	39	4	19	19	16.6	10
GPLM10	10	18	M20X1	14.5	11	21	25.5	44.5	5	24	22	26.2	10
GPLM12	12	21	M22X1	15.5	11	23	29.5	48	6	27	24	34	10

Accessories—One-Touch Fittings

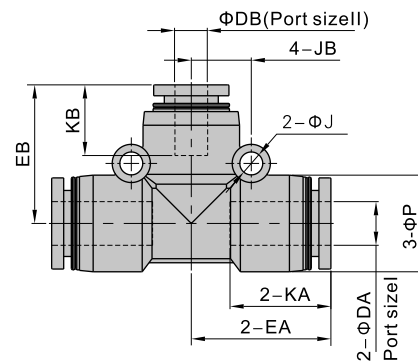
One-touch fittings—tube-tube type

GPYW Series



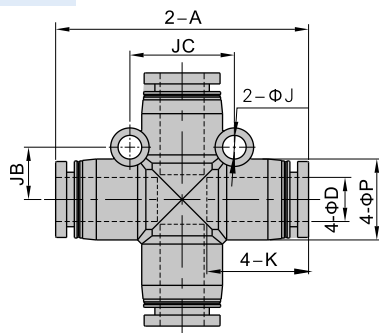
Model\Item	φDA	φDB	C	φP	KA	KB	φJ	JA	DC	Weight(g)	PCS/bag
GPYW6-4	6	4	36.5	12.5	16.5	14	3.2	15	12	5.8	10
GPYW8-6	8	6	42	15	18.5	16.5	3.2	16.5	14.5	9.1	10
GPYW10-8	10	8	48.5	18	21	18.5	4.3	19	18	14.1	10
GPYW12-8	12	8	54	21	23	18.5	4.3	20.5	20.5	22.3	10
GPYW12-10	12	10	54.5	21	23	21	4.3	21	20.5	21.7	10

GPEG Series



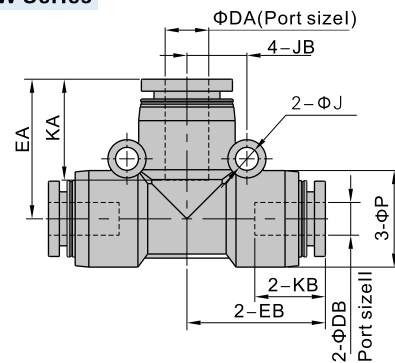
Model\Item	φDA	φDB	φP	KA	KB	EA	EB	φJ	JB	Weight(g)	PCS/bag
GPEG6-4	6	4	12.5	16.5	14	20.0	19.5	3.2	8	7	10
GPEG8-6	8	6	15	18.5	16.5	22.5	22	4.3	9.5	22.8	10
GPEG10-8	10	8	18	21	18.5	25.5	25.5	4.3	11	15.1	10
GPEG12-8	12	8	21	23	18.5	29	28.5	4.3	13	2.2	10
GPEG12-10	12	10	21	23	21	29	29	4.3	13	21.5	10

GPZ Series



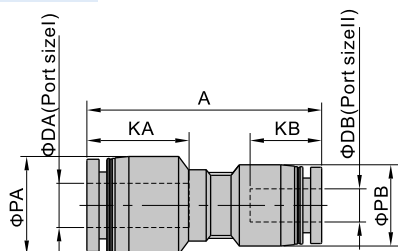
Model\Item	φD	A	φP	K	φJ	JB	JC	Weight(g)	PCS/bag
GPZ4	4	34	9	14	3.2	6.5	13	3.9	10
GPZ6	6	39.5	12.5	16.5	3.2	8	16	7.9	10
GPZ8	8	46	15	18.5	4.3	9.5	19	11.1	10
GPZ10	10	52.5	18	21	4.3	11	22	17.5	10
GPZ12	12	59.5	21	23	4.3	13	26	26.6	10

GPEW Series



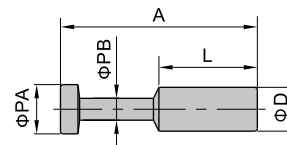
Model\Item	φDA	φDB	φP	KA	KB	EA	EB	φJ	JB	Weight(g)	PCS/bag
GPEW6-4	6	4	12.5	16.5	14	20	19.5	3.2	8	7	10
GPEW8-6	8	6	15	18.5	16.5	22.5	22	4.3	9.5	22.8	10
GPEW10-8	10	8	18	21	18.5	25.5	25.5	4.3	11	15.1	10
GPEW12-8	12	8	21	23	18.5	29	28.5	4.3	13	2.2	10
GPEW12-10	12	10	21	23	21	29	29	4.3	13	21.5	10

GPG Series



Model\Item	φDA	φDB	φPA	φPB	KA	KB	A	Weight(g)	PCS/bag
GPG6-4	6	4	12.5	9	16.5	14	33.5	2.7	10
GPG8-4	8	4	15	12.5	18.5	14	37.5	4.5	10
GPG8-6	8	6	15	12.5	18.5	16.5	38	4.5	10
GPG10-6	10	6	18	15	21	16.5	42	6.9	10
GPG10-8	10	8	18	15	21	18.5	42.5	6.7	10
GPG12-8	12	8	21	18	23	18.5	46.5	10.3	10
GPG12-10	12	10	21	18	23	21	47	10.2	10

GPP Series

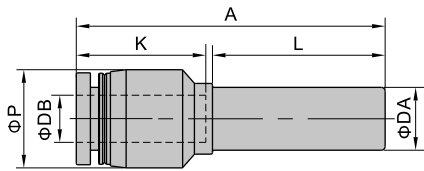


Model\Item	φD	φPA	φPB	L	A	Weight(g)	PCS/bag
GPP4	4	5	3	15	27.5	0.7	10
GPP6	6	7	3	17	32	0.9	10
GPP8	8	9	4	18	36	1.6	10
GPP10	10	11	5	20	42	2.5	10
GPP12	12	13	6	23	44	4.3	10

Accessories—One-Touch Fittings

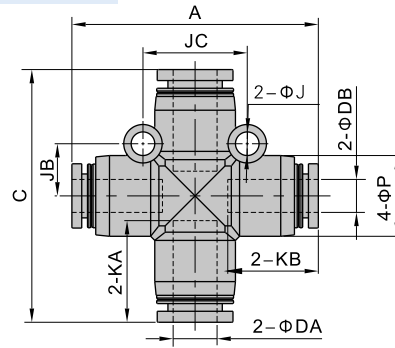
One-touch fittings—tube-tube type

GPGJ Series



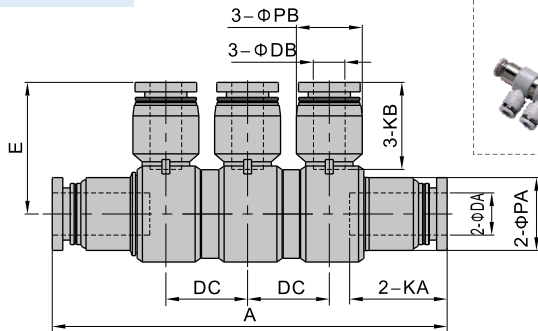
Model\Item	ΦDA	ΦDB	ΦP	K	L	A	Weight(g)	PCS/bag
GPGJ6-4	6	4	9	14	21	35	1.5	10
GPGJ8-4	8	4	12.5	14	22	39	2.6	10
GPGJ8-6	8	6	12.5	16.5	22	39.5	3.2	10
GPGJ10-6	10	6	15	16.5	25	44	4.1	10
GPGJ10-8	10	8	15	18.5	25	44.5	3.9	10
GPGJ12-8	12	8	18	18.5	26	48.5	6.2	10
GPGJ12-10	12	10	18	21	26	49	6	10

GPZG Series



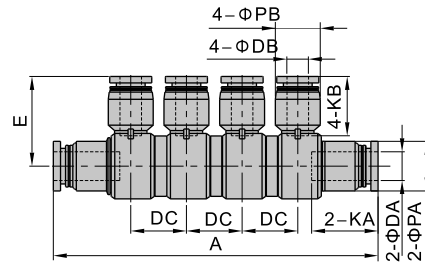
Model\Item	ΦDA	ΦDB	A	C	ΦP	KA	KB	ΦJ	JB	JC	Weight(g)	PCS/bag
GPZG6-4	6	4	39	39.5	12.5	16.5	14	3.2	8	16	8.2	10
GPZG8-6	8	6	45	46	15	18.5	16.5	4.3	9.5	19	12	10
GPZG10-8	10	8	52	52.5	18	21	18.5	4.3	11	22	18.1	10
GPZG12-10	12	10	59	59.5	21	23	21	4.3	13	26	29	10

GPHK Series



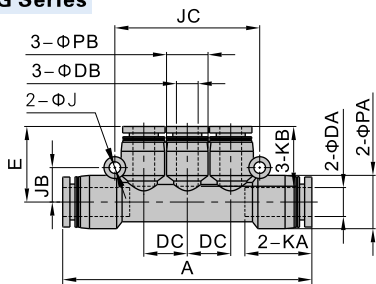
Model\Item	ΦDA	ΦDB	A	ΦPA	ΦPB	KA	KB	DC	E	Weight(g)	PCS/bag
GPHK8-6	8	6	75	14	12.5	18.5	16.5	15.5	25	28.4	2
GPHK10-8	10	8	85.5	17	15	21	18.5	16.5	29.5	45	2

GPHD Series



Model\Item	ΦDA	ΦDB	A	ΦPA	ΦPB	KA	KB	DC	E	Weight(g)	PCS/bag
GPHD8-6	8	6	90.5	14	12.5	18.5	16.5	15.5	25	18.7	2
GPHD10-8	10	8	102.5	17	15	21	18.5	16.5	29.5	52.7	2

GPKG Series



Model\Item	ΦDA	ΦDB	A	ΦPA	ΦPB	KA	KB	ΦJ	JB	JC	DC	E	Weight(g)	PCS/bag
GPKG6-4	6	4	58.5	12.5	9	16.5	14	3.2	8	34	10	17.5	8.6	5
GPKG8-6	8	6	69	15	12.5	18.5	16.5	3.2	9.5	40	12	21	13.5	5
GPKG10-8	10	8	80	18	15	21	18.5	4.3	11	48	14.5	24	20.7	5