

Cylinder joint accessory

Universal Joint



Table for universal joint and cylinder

Cylinder Accessory	SE							SAI								
	32	40	50	63	80	100	125	32	40	50	63	80	100	125	160	200
F-M10X125U	●							●								
F-M12X125U		●							●							
F-M16X150U			●	●						●	●					
F-M20X150U					●	●						●	●			
F-M27X200U							●							●		
F-M36X200U															●	●

Cylinder Accessory	SGC				Cylinder Accessory	ACQ									
	125	160	200	250		12	16	20	25	32	40	50	63	80	100
F-M27X200U	●				F-M5X080U	●									
F-M36X200U		●	●		F-M6X100U		●								
					F-M8X125U			●							
					F-M10X125U				●						
					F-M14X150U					●	●				
					F-M18X150U							●	●		
					F-M26X150U										●

Cylinder Accessory	MF				MBL					
	20	25	32	40	20	25	32	40	50	63
F-M6X100U	●									
F-M8X125U					●					
F-M10X125U		●	●			●	●			
F-M12X125U								●		
F-M14X150U				●					●	●

Cylinder Accessory	PB					MI							
	4	6	10	12	16	8	10	12	16	20	25	32	40
F-M4X070U						●	●						
F-M5X080U			●	●	●								
F-M6X100U								●	●				
F-M8X125U										●			
F-M10X125U											●	●	
F-M12X125U													●

Ordering code

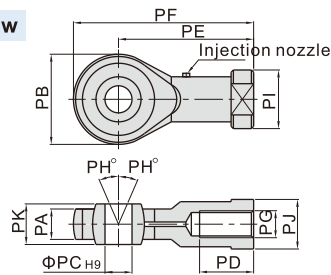
F-M10X125 U



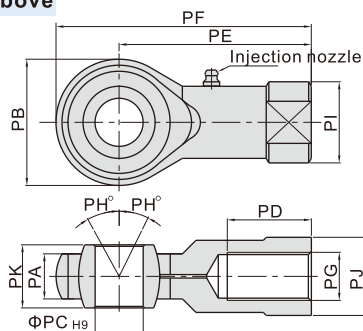
① Accessories code	② Screw thread	③ Thread pitch	④ Code
	M4: M4	070: 0.7mm	U: Universal joint
	M5: M5	080: 0.8mm	
	M6: M6	100: 1.0mm	
	M8: M8	125: 1.25mm	
	M10: M10		
	M12: M12		
	M14: M14		
	M16: M16		
	M18: M18	150: 1.5mm	
	M20: M20		
	M26: M26		
	M27: M27		
	M36: M36	200: 2.0mm	

Dimensions

M8 and below



M10 and above



Type/Item	PA	PB	PC	PD	PE	PF	PG	PH	PI	PJ	PK
F-M4X070U	6	18	5	10	27	36	M4×0.7	13	12.5	10	8
F-M5X080U	6	18	5	10	27	36	M5×0.8	13	12.5	10	8
F-M6X100U	6.8	20	6	12	30	40	M6×1.0	13	13	11	9
F-M8X125U	9	24	8	16	36	48	M8×1.25	13	16	14	12
F-M10X125U	11	26	10	20	43	56	M10×1.25	13	19	17	14
F-M12X125U	12	32	12	22	50	66	M12×1.25	13	22	19	16
F-M14X150U	14	36	14	28	57	75	M14×1.5	13	25	22	19
F-M16X150U	15	40	16	28	64	84	M16×1.5	15	27	22	21
F-M18X150U	16.5	46	18	30	71	94	M18×1.5	15	31	27	23
F-M20X150U	18	46	20	33	77	100	M20×1.5	15	34	30	25
F-M26X150U	22	60	25	48	94	124	M26×1.5	15	42	36	31
F-M27X200U	25	70	30	51	110	145	M27×2.0	15	50	41	37
F-M36X200U	27.5	80	35	56	125	165	M36×2.0	15	57.5	50	43