

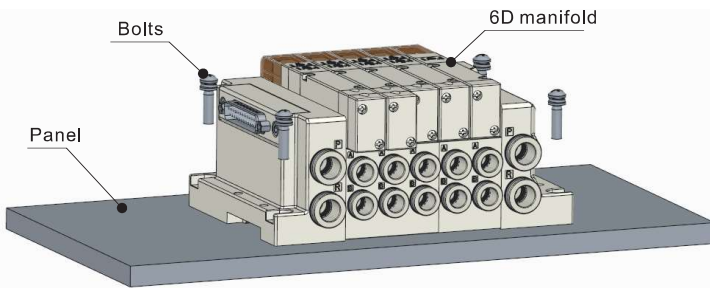
Integrated solenoid valve (5/2, 5/3 way)

6D Series

Installation and application

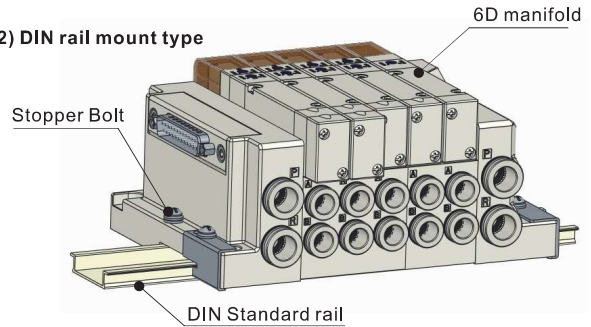
1. Two types of installation are available, choose appropriate type based on working environment.

1) Panel mount type



Four counterbore holes for screw bolts, suitable for panel installation.

2) DIN rail mount type



Compatible with standard DIN rail.

6D integrated valve can be fixed at any position of rail by stop screw.

2. PVR ports connection: Please select the appropriate pipe diameter according to the specification table of inlet and exhaust port in the table below.

Series	Port (P)	Port (R)
6D0500	Φ8	Φ8
6D100	Φ10	Φ10
6D200	Φ12	Φ12

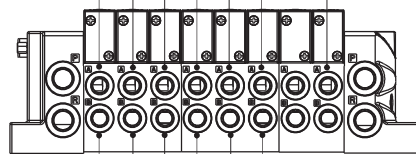
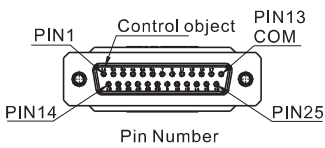
3. A/B ports connection: Please select the appropriate hose according to the A/B ports specification table in the table below.

Series	Ports (A/B ports)	Φ4	Φ6	Φ8	Φ10
6D0500		•	•		
6D100		•	•	•	
6D200				•	•

4. Pin Assignment :

Explanation of 3-18 stations connection pin.

Definition of stations : 1A 2A 3A 4A 5A 6A.....21A



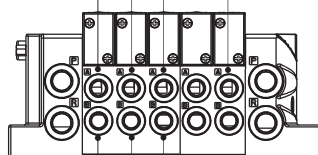
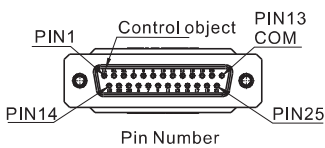
Definition of stations : 1B 2B 3B 4B 5B 6B Can be used for double solenoid valve

Pin NO.	Polarity		Control target	Pin NO.	Polarity		Control target
	-COM	+COM			-COM	+COM	
1	(+)	(-)	1A	14	(+)	(-)	1B
2	(+)	(-)	2A	15	(+)	(-)	2B
3	(+)	(-)	3A	16	(+)	(-)	3B
4	(+)	(-)	4A	17	(+)	(-)	4B
5	(+)	(-)	5A	18	(+)	(-)	5B
6	(+)	(-)	6A	19	(+)	(-)	6B
7	(+)	(-)	7A	20	(+)	(-)	8A
8	(+)	(-)	9A	21	(+)	(-)	10A
9	(+)	(-)	11A	22	(+)	(-)	12A
10	(+)	(-)	12A	23	(+)	(-)	14A
11	(+)	(-)	13A	24	(+)	(-)	16A
12	(+)	(-)	17A	25	(+)	(-)	18A
13	(-)	(+)	COM				

Note: Gauge number of cable connecting to D-Sub pin No.13(COM) must be ≤22AWG

Explanation of 19-21 stations connection pin.

Definition of stations : 1A 2A 3A.....21A

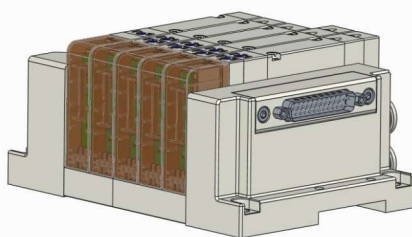


Definition of stations : 1B 2B 3B Can be used for double solenoid valve

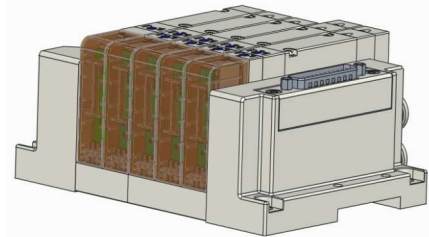
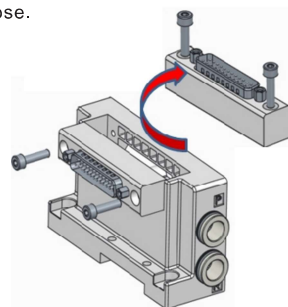
Pin NO.	Polarity		Control target	Pin NO.	Polarity		Control target
	-COM	+COM			-COM	+COM	
1	(+)	(-)	1A	14	(+)	(-)	1B
2	(+)	(-)	2A	15	(+)	(-)	2B
3	(+)	(-)	3A	16	(+)	(-)	3B
4	(+)	(-)	4A	17	(+)	(-)	5A
5	(+)	(-)	6A	18	(+)	(-)	7A
6	(+)	(-)	8A	19	(+)	(-)	9A
7	(+)	(-)	10A	20	(+)	(-)	11A
8	(+)	(-)	12A	21	(+)	(-)	13A
9	(+)	(-)	14A	22	(+)	(-)	15A
10	(+)	(-)	16A	23	(+)	(-)	17A
11	(+)	(-)	18A	24	(+)	(-)	19A
12	(+)	(-)	20A	25	(+)	(-)	21A
13	(-)	(+)	COM				

Note: Gauge number of cable connecting to D-Sub pin No.13(COM) must be ≤22AWG

5. Flip-able D-SUB port, horizontal and vertical side can choose.



Horizontal



Vertical

Integrated solenoid valve's cable

F-DSUB25



Specification

1. Flame resistant grade: UL94 VW-1.
2. Rated temperature: 80°C.
3. Rated voltage: 300V.

How to select cable

Cable type\Valve type	6D
F-DSUB25	●

Cable ordering code

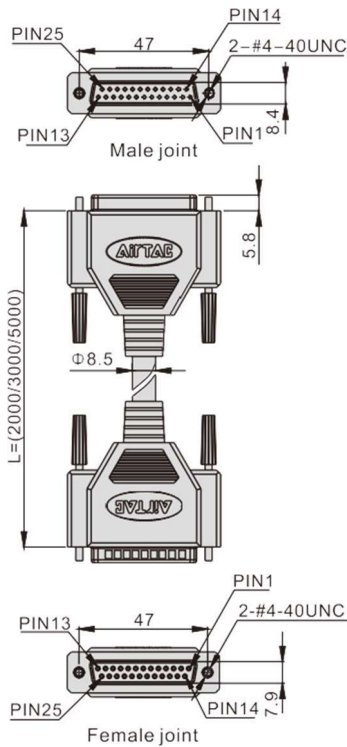
F - DSUB 25 F 200

① ② ③ ④

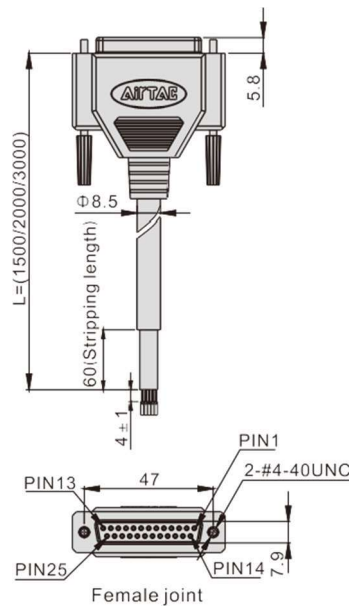
① Model	DSUB: D-SUB Cable					
② Pin Number	25: 25PIN					
③ Terminal type	F: Two Females		M: One Female + another male		S: One Females + another wire	
	200: 2m		300: 3m		500: 5m	
④ Wire length	150: 1.5m		200: 2m		300: 3m	

Dimensions and wire's assignment

F-DSUB25F(M)



F-DSUB25S



Wire's assignment

PIN	Color
1	Preto
2	Castanho
3	Vermelho
4	Laranja
5	Amarelo
6	Rosa
7	Azul
8	Roxo Branco
9	Cinza Preto
10	Branco Preto
11	Vermelho Branco
12	Vermelho Amarelo
13	Vermelho Laranja
14	Amarelo Preto
15	Rosa Preto
16	Azul Branco
17	Roxo
18	Cinza
19	Laranja Preto
20	Vermelho Branco
21	Castanho Branco
22	Vermelho Rosa
23	Vermelho Cinza
24	Preto Branco
25	Branco