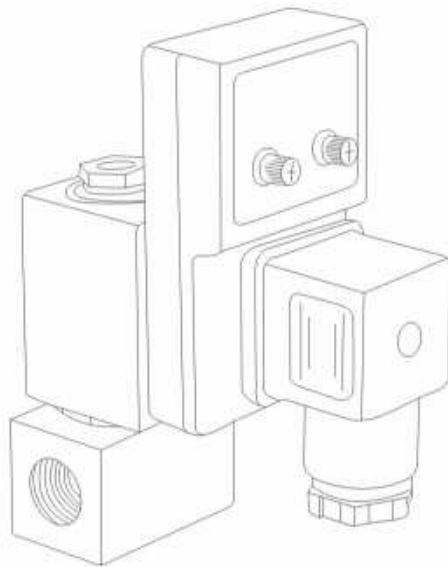


**PREMIER QUALITY
GLOBAL REPUTATION**



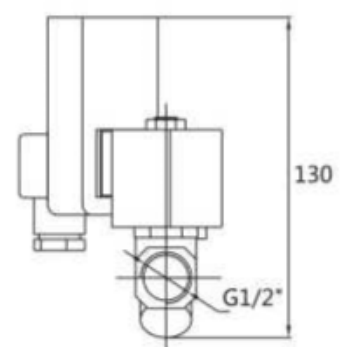
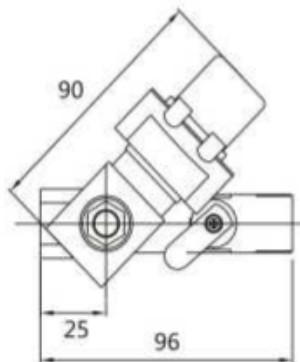
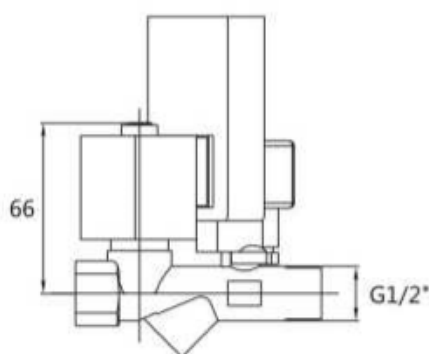
XINGYU ELECTRON(NINGBO)CO.,LTD.

Technical parameters

Model	CS-728A	
Valve Style	720	3801
Orifice	3.5 mm	
Pattern	Normally close	
Rated voltage	AC24, AC110, AC220V, DC24V	
Power	AC22VA/DC20W	
Working pressure	0~1.6MPa	
Working temp.	0°C~80°C	
Valve body material	Brass	
Seal material	NBR / VITON	

Combine filter ball valve and Timer control drain valve together

CS-728AC-A



CS Strainer

Used alone or Together with CS-720 Series valve



» **Order Code**

CS-S95

—

G

—

06

1

2

3

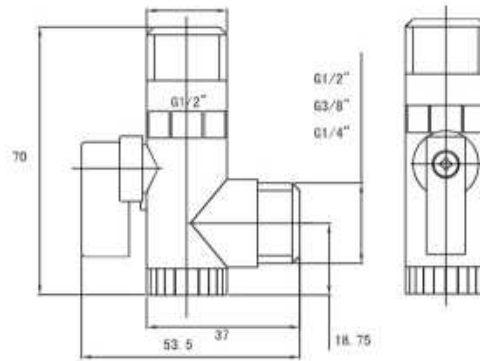
1. Series Code
S95: Length 95mm
S70: Length 70mm

2. Thread Type
G: GThread
N: NPT

3. Port size
06: 1/8"
08: 1/4"
10: 3/8"

» **Overall dimensions**

CS-S70 Strainer



CS-S95 Strainer

